



Producer Statement PS1

DuraPanel™ Balustrade for External Balconies



Building Code Clause(s).....B1, B2, F4.....

PRODUCER STATEMENT – PS1 – DESIGN

(Guidance notes on the use of this form are printed on page 2)

ISSUED BY:.....Hadley Consultants Ltd.....
(Design Firm)

TO:.....Terranota Ltd.....
(Owner/Developer)

TO BE SUPPLIED TO:.....Various.....
(Building Consent Authority)

IN RESPECT OF:Boundaryline Durapanel Balustrade for External Balconies (excluding areas susceptible to overcrowding).....
(Description of Building Work)

AT:.....Non-specific.....
(Address)

..... LOT DP SO

We have been engaged by the owner/developer referred to above to provide:

Structural design checking for the Boundaryline Durapanel Balustrade for External Balconies (excluding areas susceptible to overcrowding).....
(Extent of Engagement)

services in respect of the requirements of Clause(s) ..B1, B2 and F4.....of the Building Code for:

All or Part only (as specified in the attachment to this statement), of the proposed building work.

The design carried out by us has been prepared in accordance with:

Compliance Documents issued by the Ministry of Business, Innovation & Employment ..B1/VM1.....or
(verification method / acceptable solution)

Alternative solution as per the attached schedule.....

The proposed building work covered by this producer statement is described on the drawings titled:

attached product installation sheet titled 'Boundaryline Durapanel Specifications – for Producer Statement and Installation: For external balconies..... and numbered

together with the specification, and other documents set out in the schedule attached to this statement.

On behalf of the Design Firm, and subject to:

(i) Site verification of the following design assumptions:

- the ground at the site providing a minimum allowable bearing capacity of 100kPa and meeting the definition of good ground as set out in NZS3604;
- the structure supporting the fencing to be in accordance with the Building Code Acceptable Solutions or subject to specific design;
- and the engineering work covered by this statement being carried out strictly in accordance with the manufacturer's installation specifications;

(ii) All proprietary products meeting their performance specification requirements;

I believe on reasonable grounds that a) the building, if constructed in accordance with the drawings, specifications, and other documents provided or listed in the attached schedule, will comply with the relevant provisions of the Building Code and that b), the persons who have undertaken the design have the necessary competency to do so. I also recommend the following level of construction monitoring/observation:

CM1 CM2 CM3 CM4 CM5 (Engineering Categories) or as per agreement with owner/developer (Architectural)

I,Andrew Duncan Morris..... am: CPEng237078..... # Reg Arch.....#
(Name of Design Professional)

I am a Member of : IPENZ NZIA and hold the following qualifications: BE(Hons) MIPENZ CPEng.....

The Design Firm issuing this statement holds a current policy of Professional Indemnity Insurance no less than \$200,000*.

The Design Firm is a member of ACENZ:

SIGNED BY ...A D Morris..... ON BEHALF OFHadley Consultants Ltd.....
(Design Firm)

Date.....28 July 2017..... (signature).....

Note: This statement shall only be relied upon by the Building Consent Authority named above. Liability under this statement accrues to the Design Firm only. The total maximum amount of damages payable arising from this statement and all other statements provided to the Building Consent Authority in relation to this building work, whether in contract, tort or otherwise (including negligence), is limited to the sum of \$200,000*.

This form is to accompany Form 2 of the Building (Forms) Regulations 2004 for the application of a Building Consent.

Boundaryline DuraPanel Specifications - for Producer Statement and Installation:

For external balconies

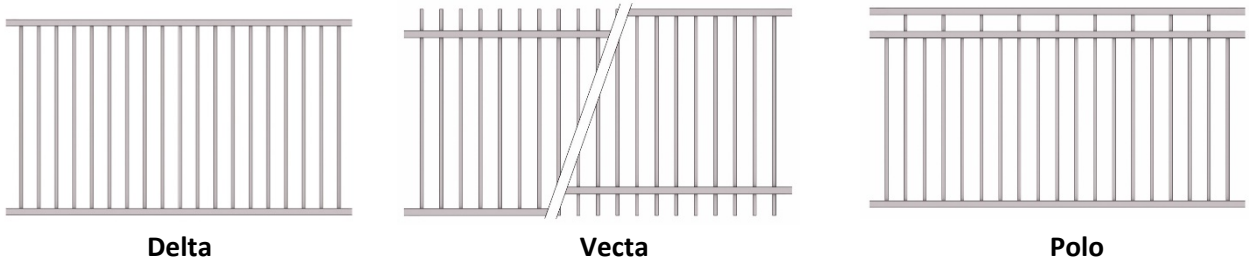


Table 1.	Maximum Post Spacing (centre-to-centre)	
	Post: 50x50x3.0mm SHS	Post: 65x65x3.0mm SHS
DDP9522 Delta 950	1000mm	1175mm
DDP1222 Delta 1200	-	1175mm
DVP1222 Vecta 1200		
DVP1522 Vecta 1500		
DPP1222 Polo 1200		
DPP1522 Polo 1500		
DPP1822 Polo 1800		
DuraPanel aluminium panels, posts, and brackets:		
<ul style="list-style-type: none"> Top rail of panel: 40x40x1.6mm SHS 		

Panel to post fixing with DuraPanel bracket DSB4040
Fig A

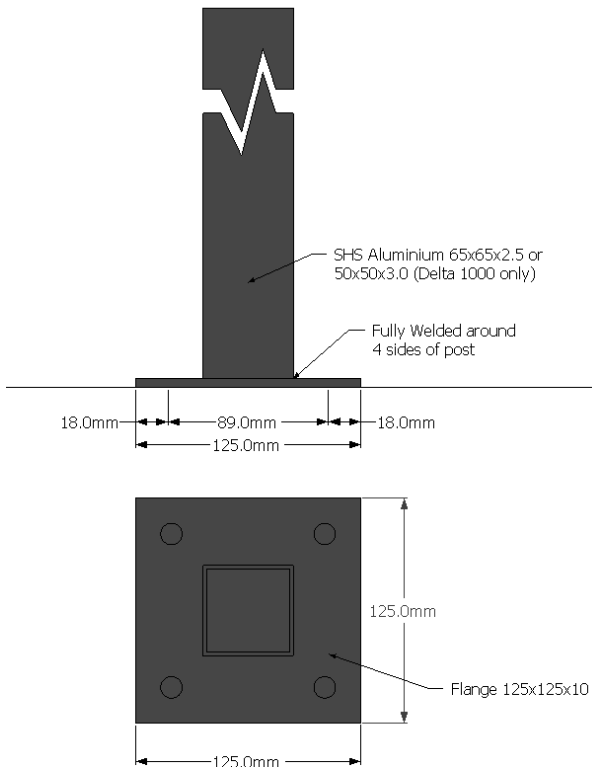


Post installation details:

Bolt-down post:

DuraPanel 50x50x3.0 DFP5113 or DFP5116
DuraPanel 65x65x2.5 DFP6513 or DFP6516

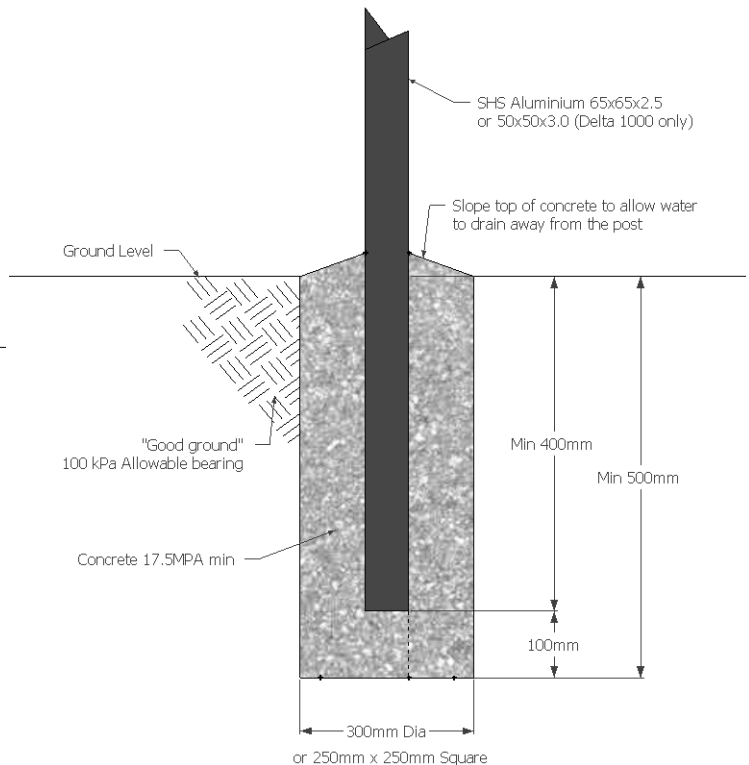
Fig B



In-ground post:

DuraPanel 50x50x3.0 DIP5118 or DIP5121 or DIP5124
DuraPanel 65x65x2.5 DIP6518 or DIP6521 or DIP6524

Fig C



Fixings:

In concrete: 4 x M12 HILTI HST stud anchor or similar with min 70mm embedment.
In timber: 4 x 12mm coachscrews with min 120mm embedment.

Note:

Posts to be installed in "Good ground" as defined by NZS3604