

SMARTWALL

 Boundaryline

A STEP-BY-STEP GUIDE TO INSTALLING YOUR FENCE



INSTALL GUIDE

INTRODUCTION

Thank you for choosing Boundaryline SmartWall Fencing. This product will provide you with many years of trouble free protection if installed in accordance with the directions outlined in this document.

The recommendations detailed in this guide are formulated along the lines of good building practice. They are not intended to be an exhaustive statement of all the relevant data.

If you have any questions, please contact our Technical Team on 0800 003 006. We are always happy to help in any way we can.

BEFORE YOU START, READ THIS

- This guide does not apply to any fences over 1.8m in height. If your fence is greater than 1.8m, please seek further advice from Boundaryline.
- Describe your site details when ordering materials.
- Identify your soil type/ ground conditions. Refer to

the table in Step 1. This will determine the concrete and footing details required.

- Make sure you are aware of underground services before you start digging! These could be gas, electricity, or water mains. Call your local council for more information.

- Check your local council regulations on boundary fencing.
- Check the delivered material for the correct number of components and general condition before beginning your installation.

TOOLS LIST



- Make sure you choose the right tools before start installing your fence.

TOOLS

- Tape Measure
- Shovel
- Circular Saw
- Hex Drive Bit
- Line Marking Paint
- String Line
- Drill/Driver
- Angle Grinder
- Post Hole Digger
- Spirit Level

SAFETY GEAR

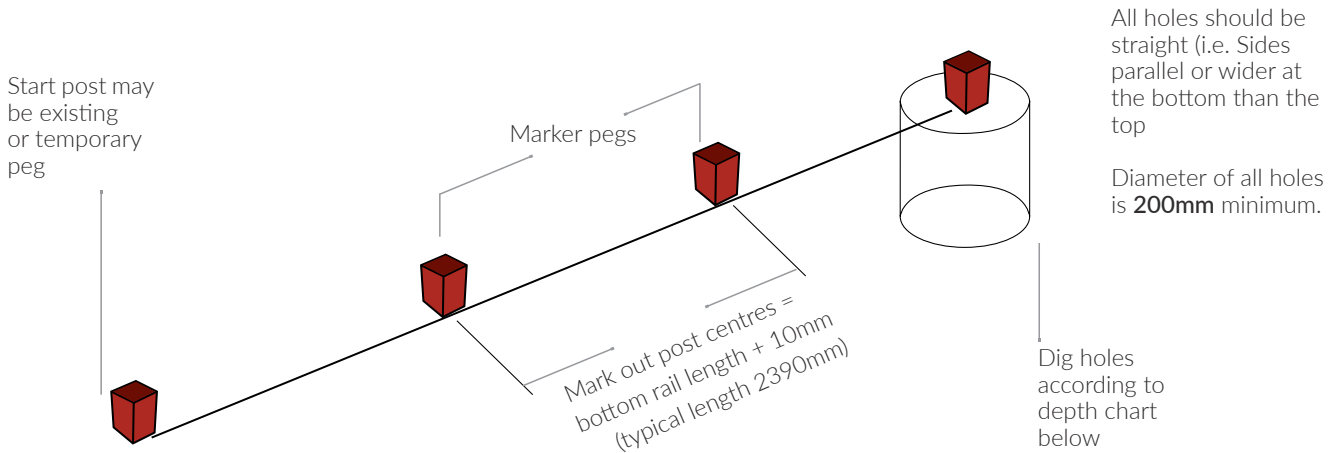
- Safety Boots
- Gloves
- Helmet
- Eye Protection
- Hearing Protection
- Sun Protection



It is recommended that the reader pays particular attention to those items identified as IMPORTANT in this manual to ensure satisfactory long-term performance.

A STEP-BY-STEP GUIDE TO INSTALLATION

STEP 1 - MARKING OUT YOUR POST HOLES



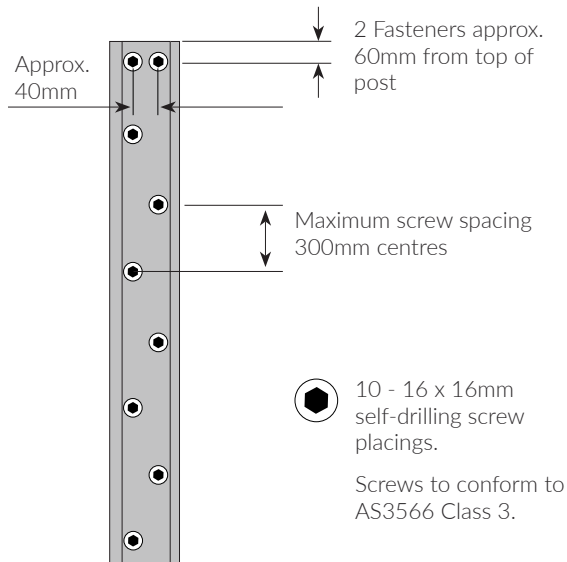
IMPORTANT

Post lengths required will increase accordingly to cater for these ground conditions.

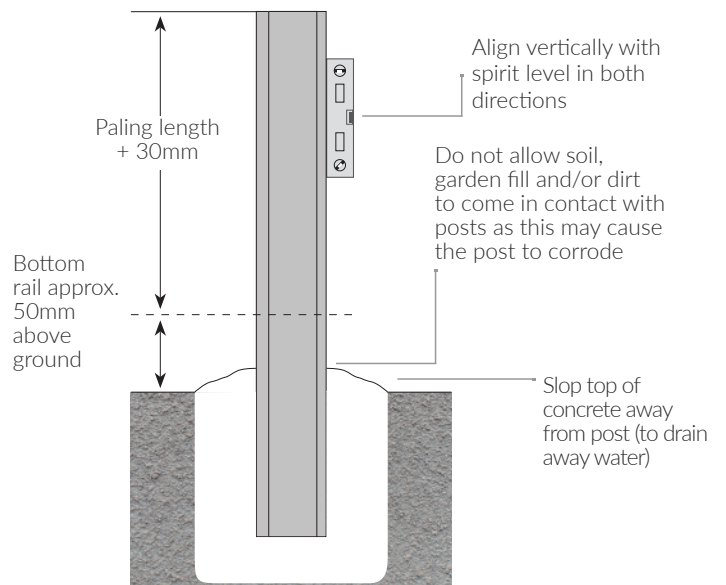
Soil Type	Minimum Hole Depth	Approximate Concrete Required
Rock	300mm	1 bag per hole (20Kg bag)
Clay/Firm Earth	600mm	2 bag per hole (20Kg bags)
Sand/Loose Fill	900mm	3 bag per hole (20Kg bags)

STEP 2 - SECURING POSTS

a. Fastening posts together



b. Fixing post in ground



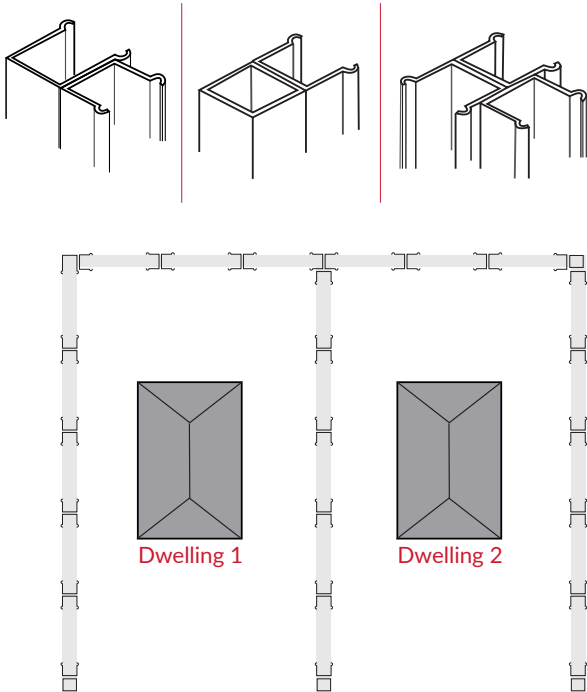
IMPORTANT

If it isn't possible to fix posts as proposed here, please contact us for further information.

- Place first post in hole
- Adjust to correct height
- Support post with temporary brace
- Fill hole with fully mixed, wet concrete
- Vibrate and compact the concrete to remove voids.

TYPICAL INSTALLATION OPTIONS FOR END POSTS, CORNER POSTS AND JUNCTIONS

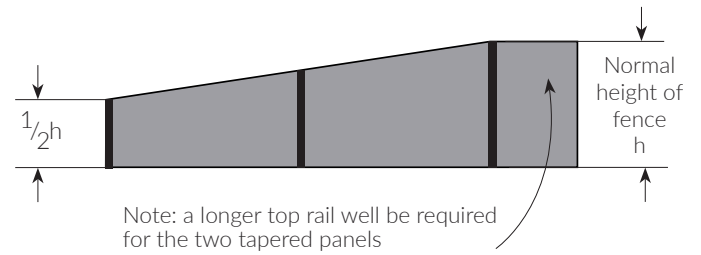
□ - 65mm SHS Section □ - Fence Post



TAPERING THE FRONT OF YOUR FENCE

It is recommended that you taper the two panels of your fence where fence extends beyond the front of the house.

The minimal extra effort in tapering the end panels will provide a better looking fence than a stepped fence.



Example for 2365mm post centres

Fence Height	Tapered End Height	Top rail length if tapered per two panels
1500mm	750mm	2385mm
1800mm	900mm	2400mm

STEP 3 - INSTALLING RAILS AND PALINGS

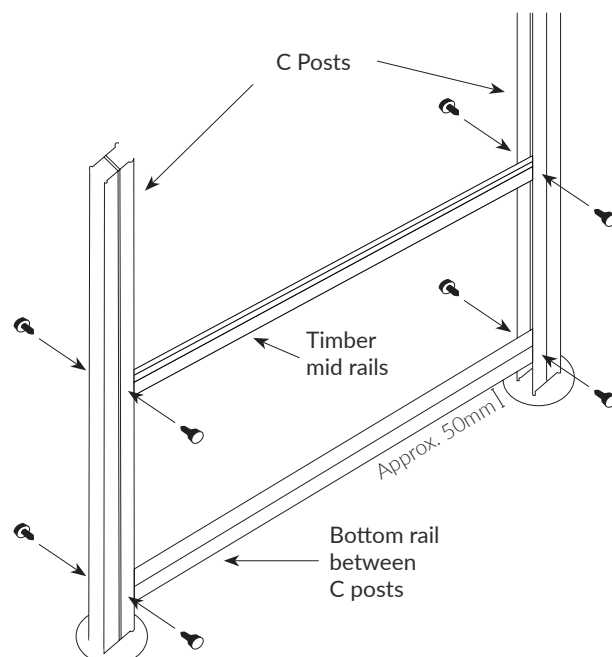
a. Bottom Rail

- Insert bottom rail between posts.
- Adjust bottom rail to correct height - it is important to maintain a minimum gap of 50mm between bottom of rail and ground.
- Screw fix the bottom rail at this stage.

b. Timber Mid Rails

- Once bottom rail is fitted, it's time to fix the timber mid rails. Using the self-tapping tech screws supplied, fix the timber mid rail to the C post.

Ensure this is level (either a laser, or string line is recommended).



STEP 3 – INSTALLING RAILS AND PALINGS (CONT.)

c. Palings

- Slide the first paling between the mid rails, leaving a 20mm gap between the edge of paling and the inside face of the post and push down firmly into the bottom rail. A rubber mallet can be used if required. Check paling for vertical with a level.
- Continue to insert all palings, ensuring the shiplap overlap is in place correctly.
- Once all palings are installed it is time to fit your top rail.

d. Top Rail

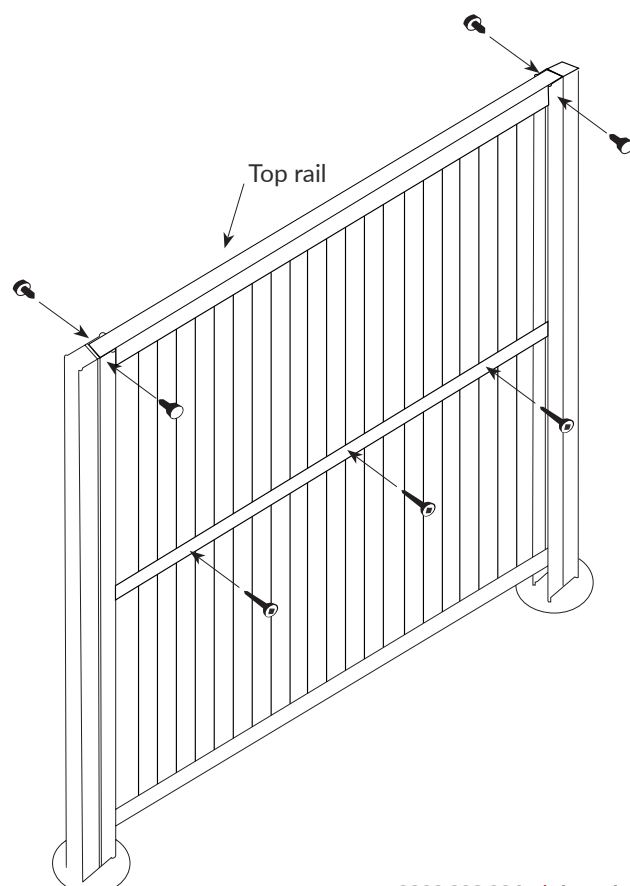
- Place over the top of the palings, and tap down into the C post. Once in place, fix both sides of the rail to the C post using the tech screws provided. The top of the rail should be 10mm from the top of the post.



e. Last Steps

- Fix the mid rails to the palings using the timber screws provided. Fix screws from one side of fence while applying gentle pressure on opposite side while screwing.
- Screws to be fixed through the middle paling, and through the paling 3 (three) in from each post.
- Once this is done, it is time to cap off the fence posts.

f. Check installation.



STEP 4 – INSTALLING POST CAPS

All SmartWall caps are supplied as a 'double' cap, which are designed to be snapped in half to create two single caps where required.

1



Cut each side of the cap in line with the centre ridge. Use end-nippers – do not use a knife as this is dangerous and difficult to achieve a straight cut. Ensure the 'nose' of the end nippers is pushed all the way in before cutting.

2



Bend the cap along the centre ridge to snap it, and pull apart to create two single caps.

NOTES

If the cap is not a tight fit, place a small amount of silicone up inside the cap to secure it. Make sure the silicone is a small bead on the inside corner of the sides only.

Make sure you keep the correct distance from the top of the post to the top of the rail (see page 5).



MAINTENANCE OF YOUR FENCE

1. To keep your fence looking its best, a soft broom down every few months should be sufficient to remove any cobwebs. Pay particular attention to the area under the top rail, which is sheltered from natural washing by rain.

2. **DO NOT** build up soil, garden fill and/or dirt against the bottom rails and posts of your fence as this will retain water and lead to corrosion.

DO NOT use your fence as a retaining wall, as it is not designed for this purpose.

3. Adequate drainage is needed to ensure that water does not pond in the bottom rail and to assist in the removal of debris. This is achieved by designing the posts such that there is a clearance between the ends of the bottom rail and the posts.

4. **DO NOT** use touch up paint. Minor scratches should be left alone or the post/rail replaced. Touch up paint will weather differently than the original steel coating. A small touch up brush can be supplied for any small scratches.

5. The steel posts and rails are backed by a 10-year warranty* under the following conditions:

- Installation > 1km from Marine or Industrial environment
- Fence is installed to manufactures guidelines
- Fence is maintained regularly in accordance with suggestions made by Boundaryline.

There is no warranty on the timber components due to being a natural product.

CONTACT BOUNDARYLINE FENCING

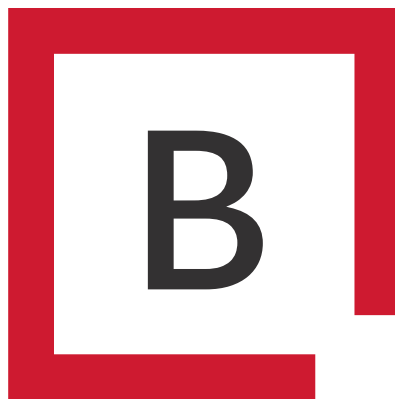
SmartWall Fencing is designed to withstand most wind conditions. The wind on the fence at your site will depend on a number of factors, including the number of surrounding properties and how exposed the location is.

If your property is exposed to higher wind speeds, please contact us for further advice/recommendations.

Also, if in proximity to severe marine conditions or bounding swimming pools, please seek specific advice from Boundaryline.

BOUNDARYLINE'S TECHNICAL SUPPORT: 0800 003 006

To learn more about SMARTWALL visit: www.boundaryline.co.nz/our-brands/smartwall/



 Boundaryline

0800 003 006 / boundaryline.co.nz