



INSTALL GUIDE

INTRODUCTION

Thank you for choosing Boundaryline Post&Rail Fencing. This product will provide you with many years of trouble free protection if installed in accordance with the directions outlined in this document.

The recommendations detailed in this guide are formulated along the lines of good building practice. They are not intended to be an exhaustive statement of all the relevant data.

If you have any questions, please contact our Technical Team on 0800 003 006. We are always happy to help in any way we can.

BEFORE YOU START, READ THIS

- Boundaryline Post&Rail fencing with the straight-through mortise is designed to be very simple and quick to install.
- Describe your site details when ordering materials.
- Identify your soil type/ ground conditions. Refer to

the table in Step 2. This will determine the concrete and footing details required.

- Make sure you are aware of underground services before you start digging! These could be gas, electricity, or water mains. Call your local council for more information.

- Check your local council regulations on boundary fencing.
- Check the delivered material for the correct number of components and general condition before beginning your installation.

TOOLS LIST



- Make sure you choose the right tools before start installing your fence.

TOOLS

- Tape Measure
- Spade
- Shovel
- Hand Rammer
- Level
- String Line

OPTIONAL

- Powered Auger - 300mm diameter
- Concrete for gate-posts
- Saw - powered saw or handsaw
- Laser-level

SAFETY GEAR

minimum required

- Safety Boots
- Gloves
- Helmet
- Eye Protection
- Hearing Protection
- Sun Protection



IMPORTANT

It is recommended that the reader pays particular attention to those items identified as IMPORTANT in this manual to ensure satisfactory long-term performance.

A STEP-BY-STEP GUIDE TO INSTALLATION

STEP 1 – LAYOUT YOUR FENCE-LINE

- a.** Determine and mark any legal boundaries and/or underground services.
- b.** Measure out each fence-line and mark the post positions, spaced at the length of the rails.
If the fenceline length does not work out as multiples of the rail length - adjust all the post spacings to suit, or just the last few sections, and cut rails to fit.
- c.** Use a string line or laser-level to make sure any lines are straight.

STEP 2 – DIG POST HOLES

Dig post holes using hand tools or a powered auger.

See Tables A & B for required post-hole dimensions and depths:

TABLE A - Required Post-hole Dimensions

Post Size	Suggested Hole Diameter
125 x 125	300mm
150 x 100	300mm
150 x 150	350mm
200 x 200	400mm

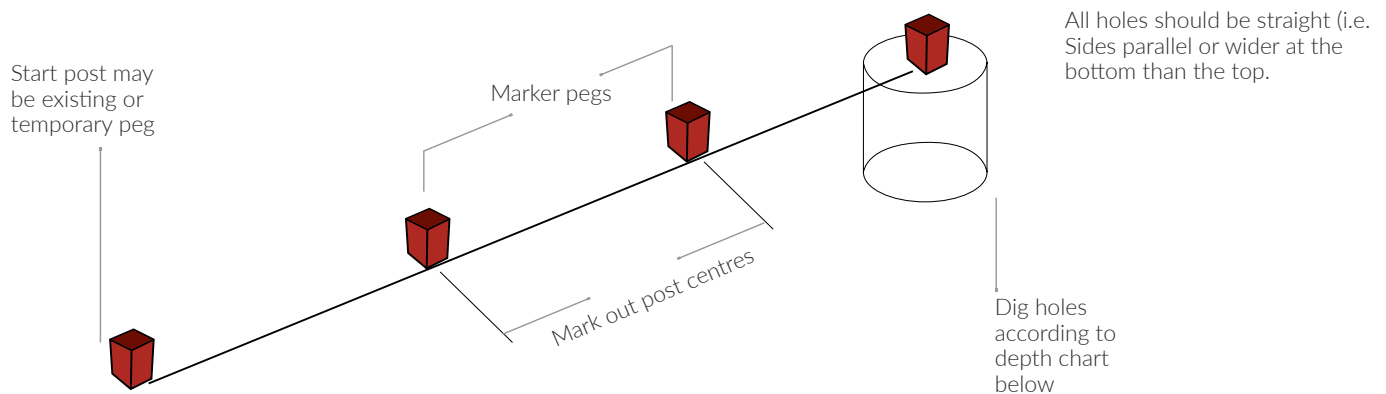
TABLE B - Required Post-hole Depths

	Post Length	Out-of-ground height	Post-hole depth
3-Rail	1.8	1.1 - 1.2	0.6 - 0.7
2-Rail	1.5	0.9 - 1.0	0.5 - 0.6
2-Rail High	1.8	1.1 - 1.2	0.6 - 0.7
1-Rail	1.2	0.65 - 0.7	0.5 - 0.55

Gate posts are usually 0.3m longer / 0.3 deeper in ground

MARKING OUT YOUR POST HOLES

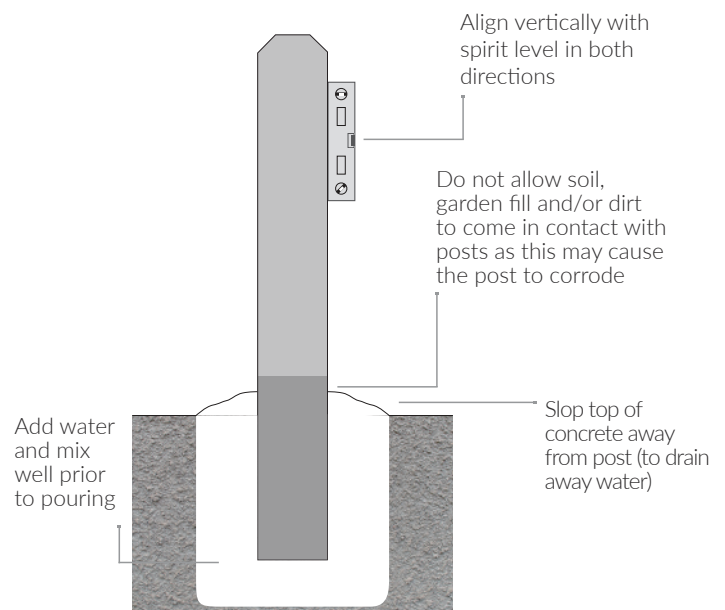
Post centres will be subject to rail length supplied. Eg, 1.8m rail will have approx 1.9m post centre.



STEP 3 – INSTALLING THE POSTS

- a.** Place first post in hole and set the height carefully using a tape measure.
- b.** Refill the hole a little at a time, while packing the soil tight around the post with a hand-hammer.
- c.** Check with a spirit-level regularly to ensure the post is plumb.
- d.** Ensure the post remains square to the fenceline and does not turn as you ram the earth around it.

Repeat Steps **a.** to **d.** for all posts.
- e.** Check the height of the posts as you work down the line to ensure a good visual line along the top of the fence as you follow any contours in the land or curves in the fenceline.
- f.** While it is possible to install several posts and then slide the rails in, it is usually best to place the rail in after each post is made firm (see STEP 4).



NOTES:

- Any gate posts should be concreted in place and braced until the concrete is dry. In some situations, esp where horses are contained, it may be a good idea to concrete all the posts.
- Macrocarpa posts will need to have Bituproof applied – see instructions below.

BITUPROOF APPLICATION – FOR MACROCARPA POSTS

For best results brush on Bituproof Plus in condition as supplied, without thinning.

Ensure that the seal covers the entire length of the post that is in contact with the ground – and extending 20-50mm above ground level. The first coat should be applied in one direction only. If possible a second coat should be applied at right angles to the first. Two coats of Bituproof Plus are recommended for complete waterproofing. Bituproof Plus is an air-setting product and will dry on rushes during application. It is suggested that the brushes be washed out every 15-20 minutes with water.

TIP

Wrap some wide masking tape around the post at the required height to form a clean line where the Bituproof Plus stops.



IMPORTANT

Take care when handling or installing Bituproof-coated posts as any damage to the coating may break the waterproof seal.

STEP 4 – INSTALLING THE RAILS

- a.** With the Boundaryline 'straight-thru' mortise, each line post can be carefully lined up and made firm - and then the rails for that section can be slid into place. Then move on to the next post.
 - b.** For undulating or curved fencelines – rails may need to be held in place while the each post is made firm.
 - c.** For large-size posts with partial mortises (250x250mm & larger) the rails will need to be installed along with every post.
-

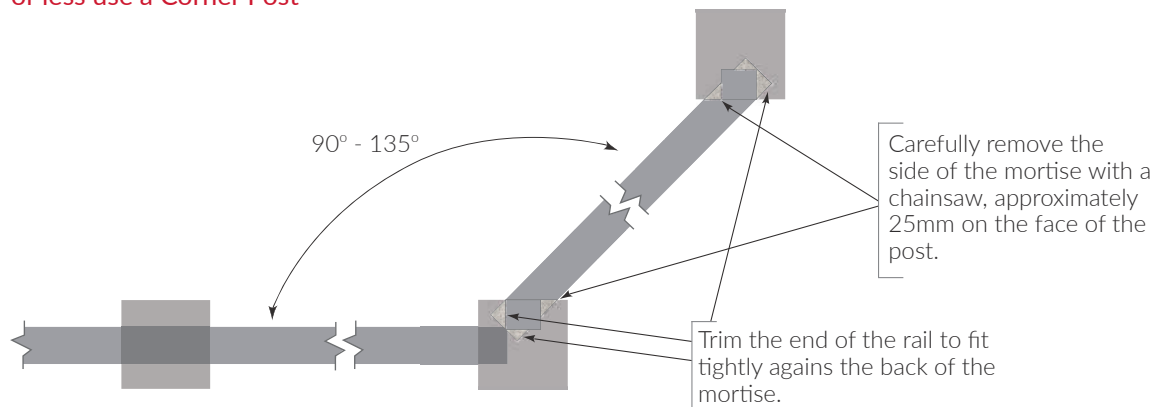
STEP 5 – HANGING THE GATES

- a.** Ensure the gate-posts are set in the correct position allowing for the hinges and latches and clearance between double gates.
- b.** Fix the top-rail adjacent to the gate to the posts at each end with screws or nails underneath. This acts as a brace and helps to strengthen the gate post.
- c.** Insert the gudgeons into the posts, ensuring they are at the right height:
- d.** Adjust the gudgeons so that the gate swings level and in the right position.
- e.** Fix drop-bolts onto the gates if applicable and fix any latches in place.

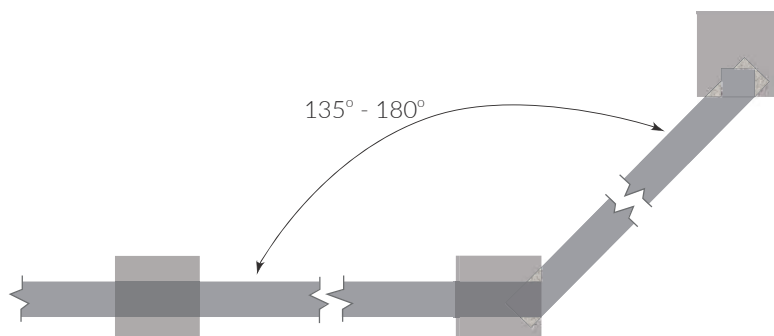
ANGLES POSTS

Boundaryline™ Post&Rail can easily be angled to lead into an entranceway. The following diagrams show how this is done. You will need a chainsaw to alter the post and the rail slightly to achieve a tidy fit.

For angles less 135° or less use a Corner Post



For angles less 135° to 180° use a Line Post

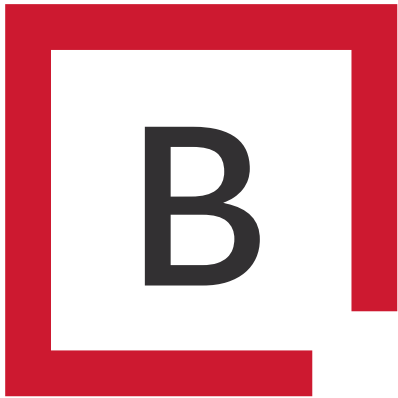


CONTACT BOUNDARYLINE FENCING

BOUNDARYLINE'S TECHNICAL SUPPORT: 0800 003 006

To learn more visit: www.boundaryline.co.nz

This document is only intended to be a general guide, as every property and situation is different. Any installation work, including the use of power equipment is completely the responsibility of the person(s) installing. All persons using power equipment must be trained and certified to use the equipment and must wear all applicable personal protection gear. Terranota Ltd cannot accept any responsibility for any faulty installation or damage or injury arising from installation work.



 Boundaryline

0800 003 006 / boundaryline.co.nz